

Ironside

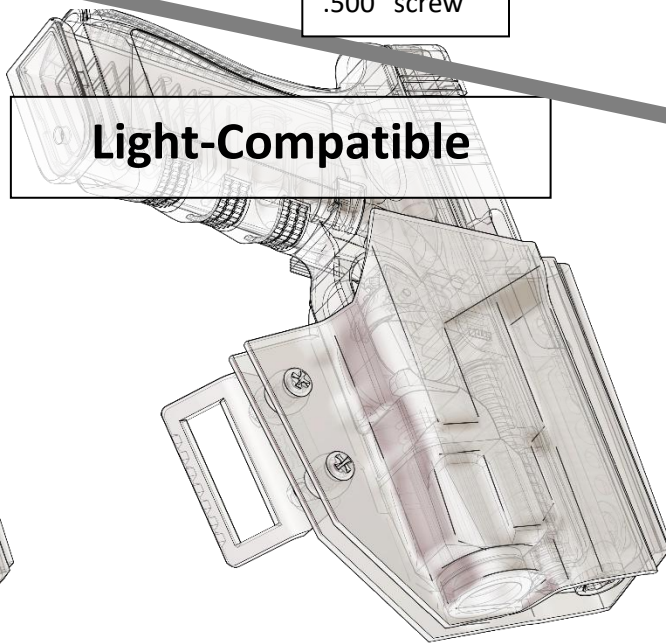
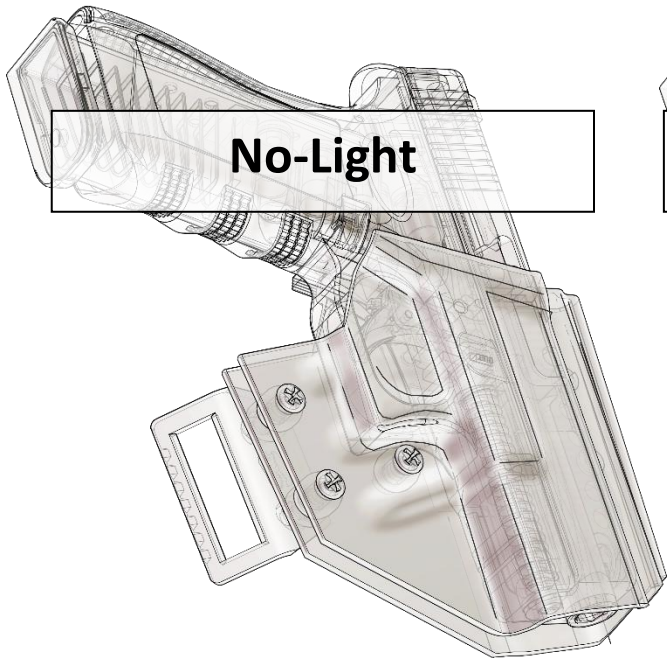
.250" post
Beltloop
.188" washer
.375" screw

.500" post
Beltloop
.125" washer (outside)
.375" washer (inside)
.625" screw

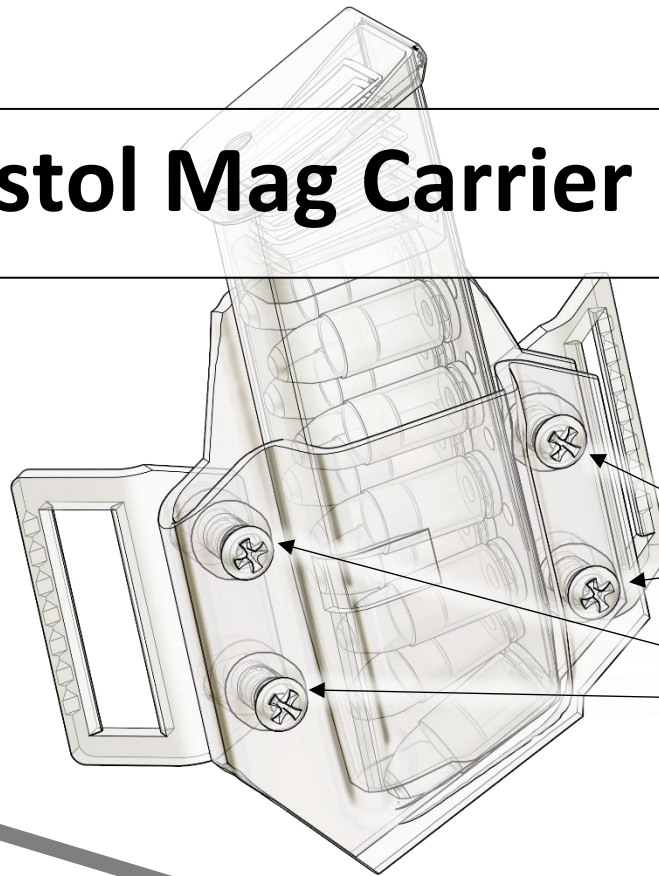
(no-light)
.375" post
.375" washer
.500" screw

No-Light

Light-Compatible



Pistol Mag Carrier



500 post

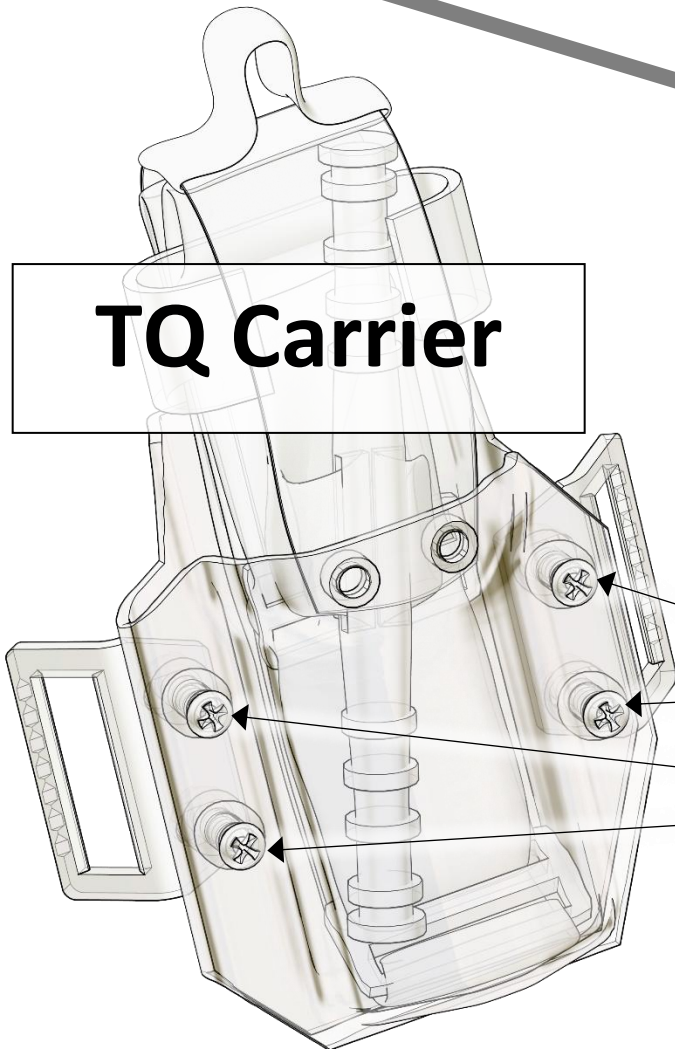
Beltloop

.125" washer (outside)

.250" washer (inside)

.500" screw

TQ Carrier



.500" post

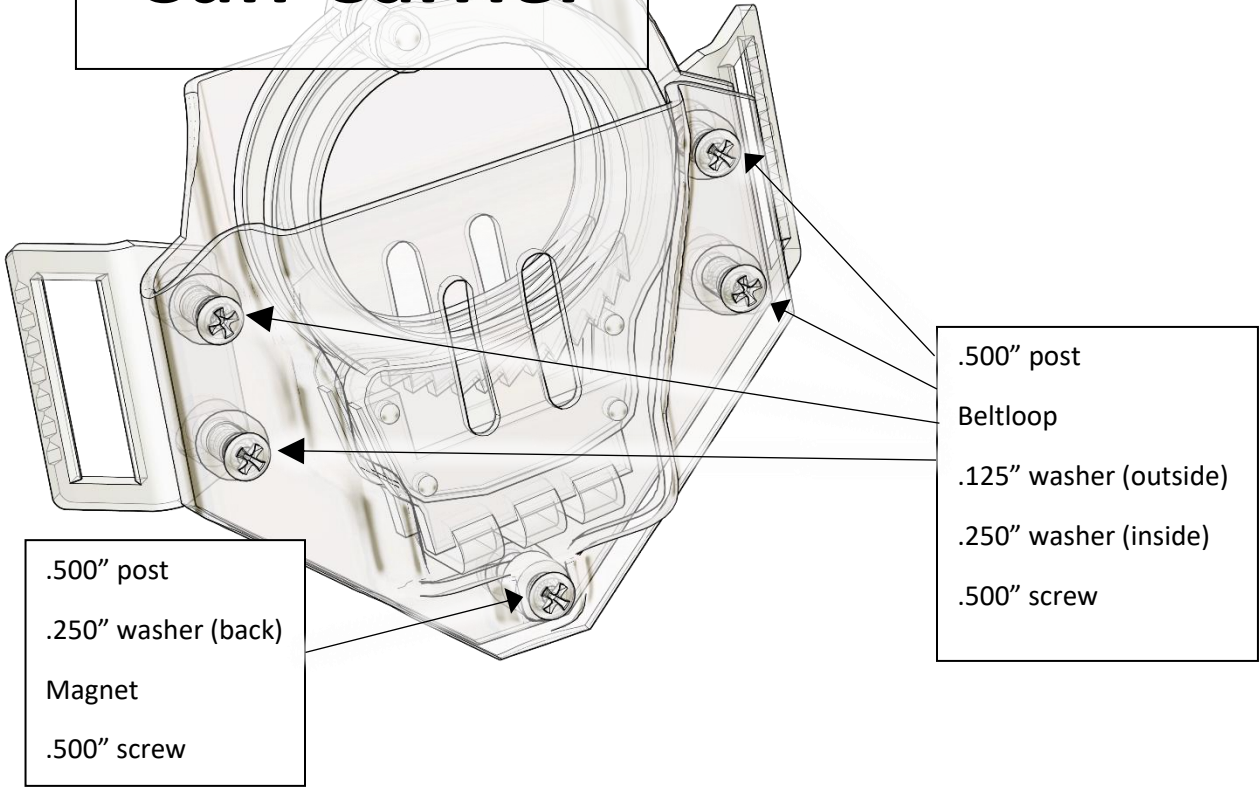
Beltloop

.125" washer (outside)

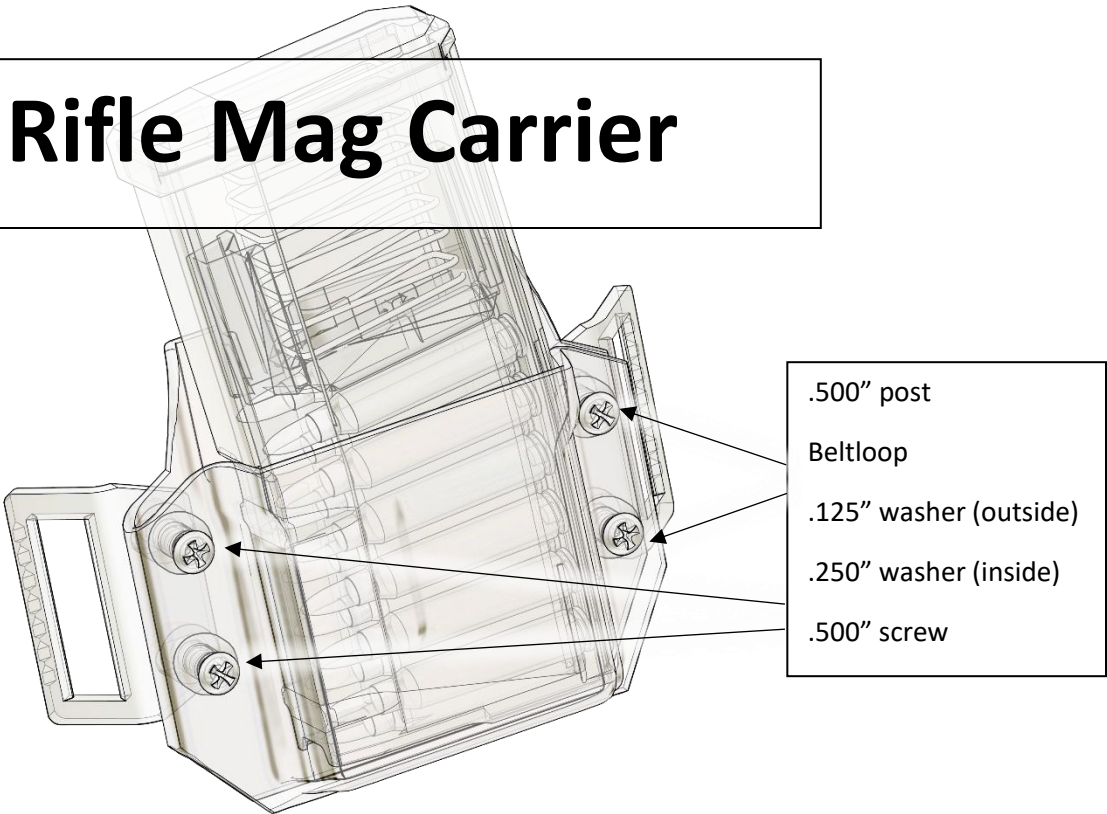
.250" washer (inside)

.500" screw

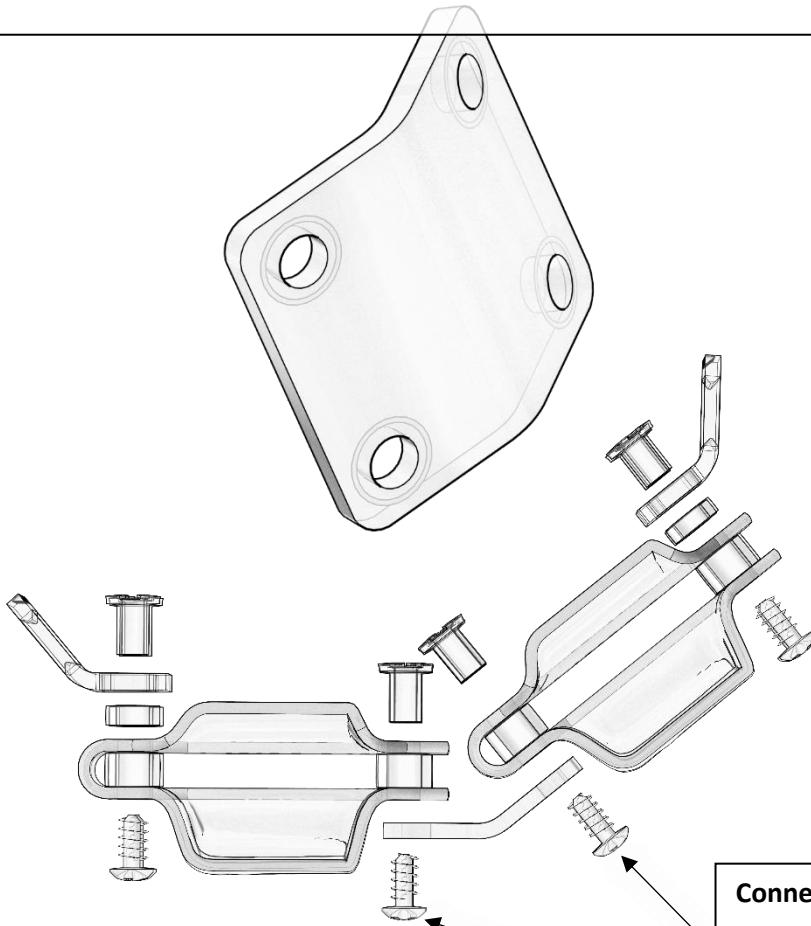
Cuff Carrier



Rifle Mag Carrier



Carrier Connector



Connector uses existing carrier screws, washers, posts.

.500" post

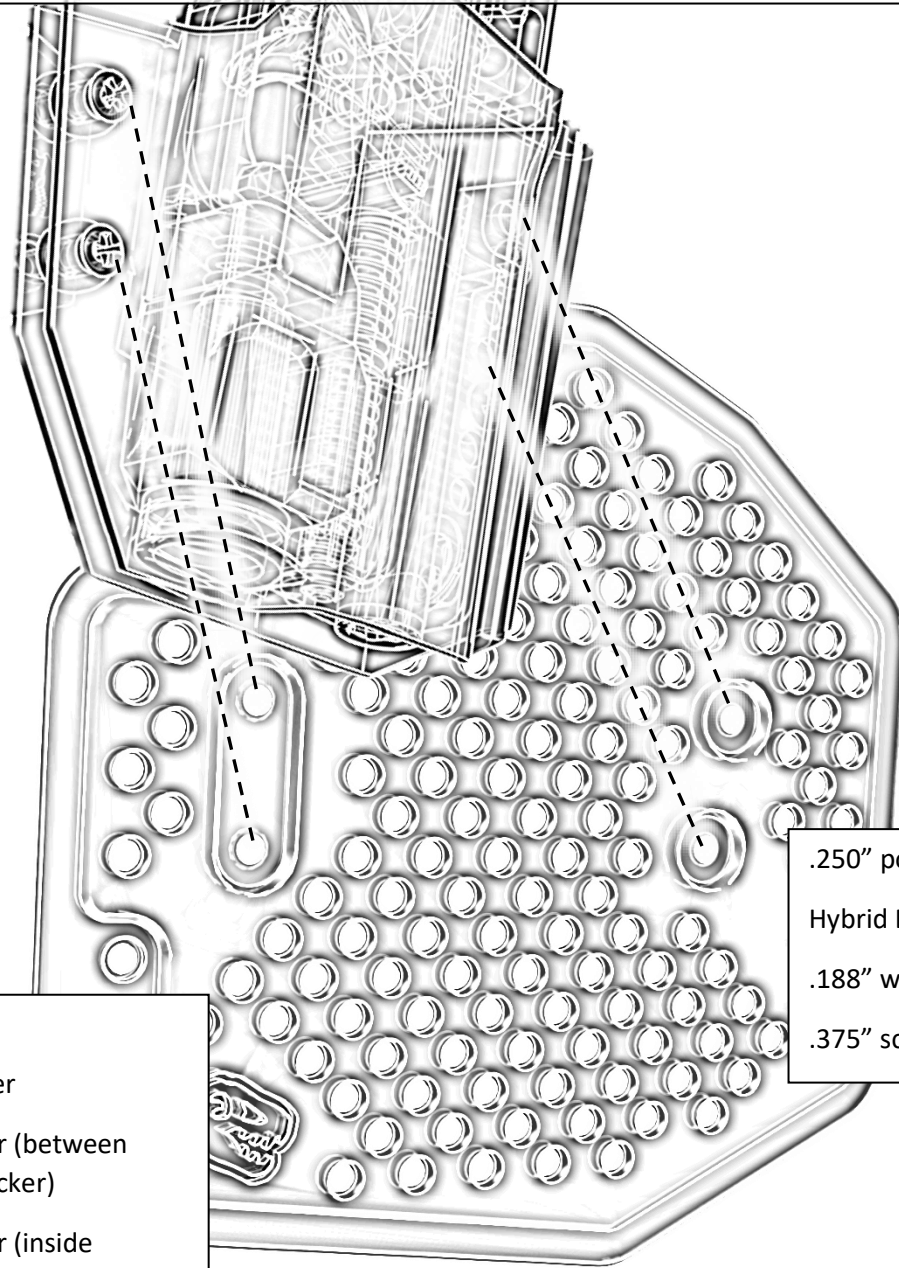
.250" washer (inside)

.125" washer (outside, optional)

Connector

.500" screw

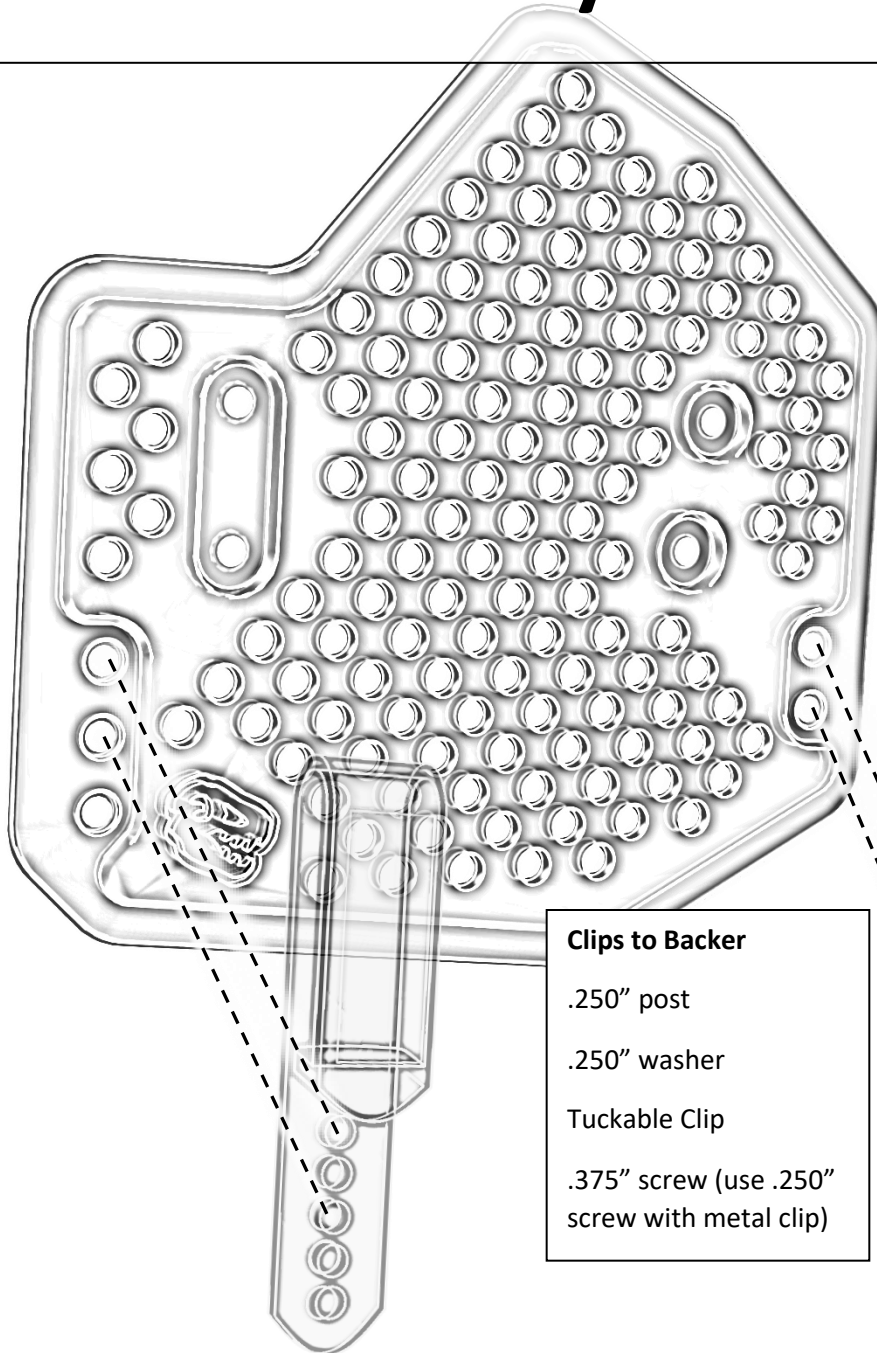
Ironside Hybrid



.500" post
Hybrid Backer
.125" washer (between
holster & backer)
.375" washer (inside
holster)

.250" post
Hybrid Backer
.188" washer
.375" screw

Ironside Hybrid



Clips to Backer

.250" post

.250" washer

Tuckable Clip

.375" screw (use .250"
screw with metal clip)