



Visit our website for instructions and videos by scanning the QR code. We suggest adjusting the retention of your holster before use.

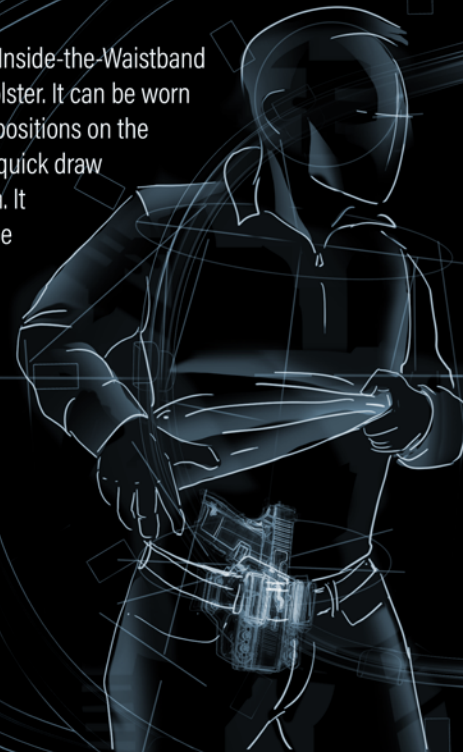
Periodically check to ensure that all hardware is tightened to your desired feel. Test while wearing since your belt adds tension.

These instructions were written for right-handed users. If you are left-handed, the holster should be clipped to the belt on the other side.

If you have any questions about your holster fit or use, please reach out to our customer service team at team@trex-arms.com

RAPTOR HOLSTER SYSTEM

The Raptor Holster is an Inside-the-Waistband weapon concealment holster. It can be worn in a number of different positions on the body, and it allows for a quick draw with adjustable retention. It has built-in tilt, adjustable ride height, and several grip, tuck, and cant options that will give you maximum comfort and the ability to match it to your unique body type. For best results, use a stiff belt tight around your hips.

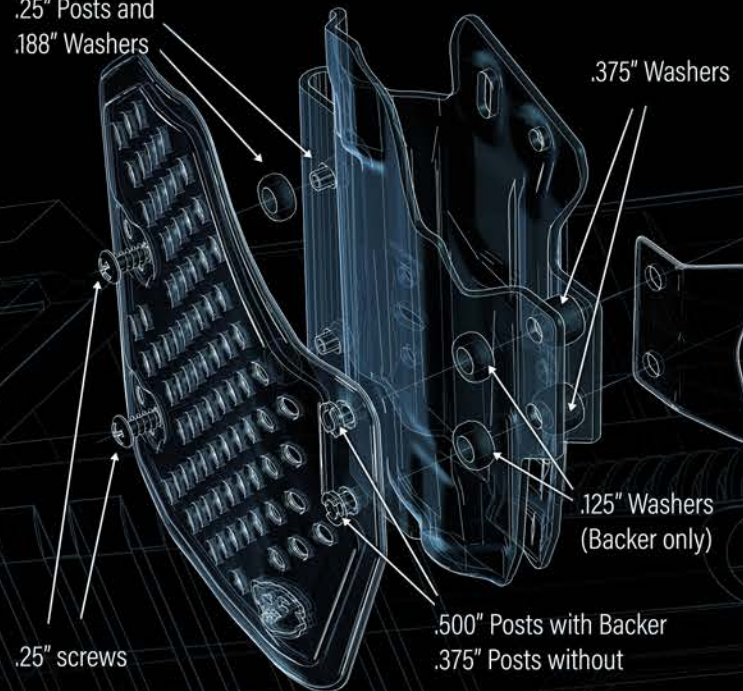


The plastic belt clips give good stability to the holster and allow you to tuck a shirt behind them while still concealing your firearm. The Raptor Claw adds some leverage to pull the pistol grip in tighter to your body for more concealment.

You will probably need to experiment in order to find the best position and setup for your own body type.

This holster is best between the 12 and 1, and the 4 and 5 o'clock positions.

.25" Posts and
.188" Washers

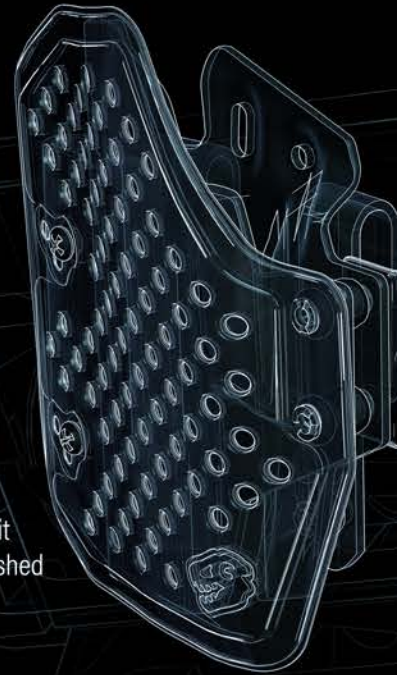


BACKER

The Raptor can also be used with an optional padded Backer to increase comfort of carry.



The Backer is made of Alcantara and closed-cell foam, and is soft, breathable, water resistant, and easily added or removed. The backer can be cleaned by wiping it with a damp cloth or machine washed in warm water and air dried.



The Raptor is highly adjustable. You can dial in the exact amount of retention and friction that you want from your holster by tightening or loosening the screws near the trigger guard or the weapon light. However, you cannot run a gun without a light in a holster that is designed to be used with a light.

The holster's ride height and cant can be adjusted by raising or lowering the belt clips, which will allow you to adjust your weapon's concealability and draw.

WEAPON LIGHT

This screw has a minimal effect on retention.

This screw directly affects retention on the light.



NO LIGHT

These screws have a minimal effect on friction.

This screw directly affects retention on the trigger guard.