

# Ironside

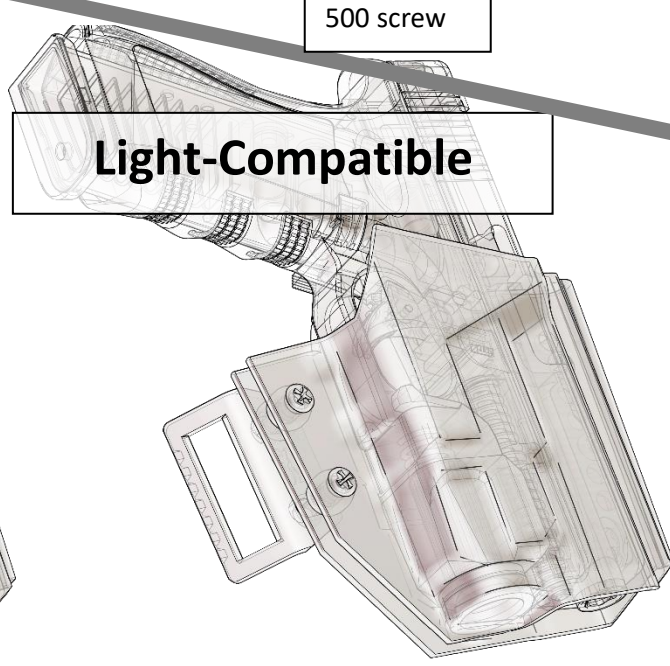
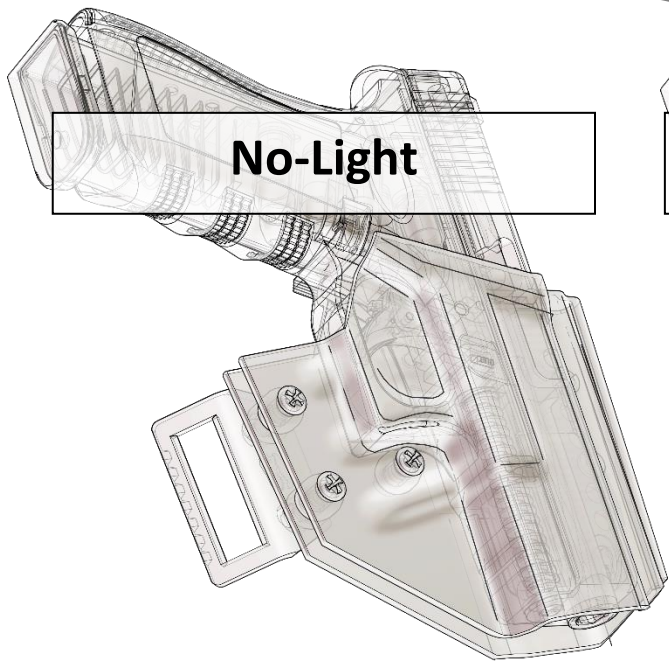
250 post  
clip  
188 washer  
375 screw

500 post  
clip  
125 washer (outside)  
375 washer (inside)  
625 screw

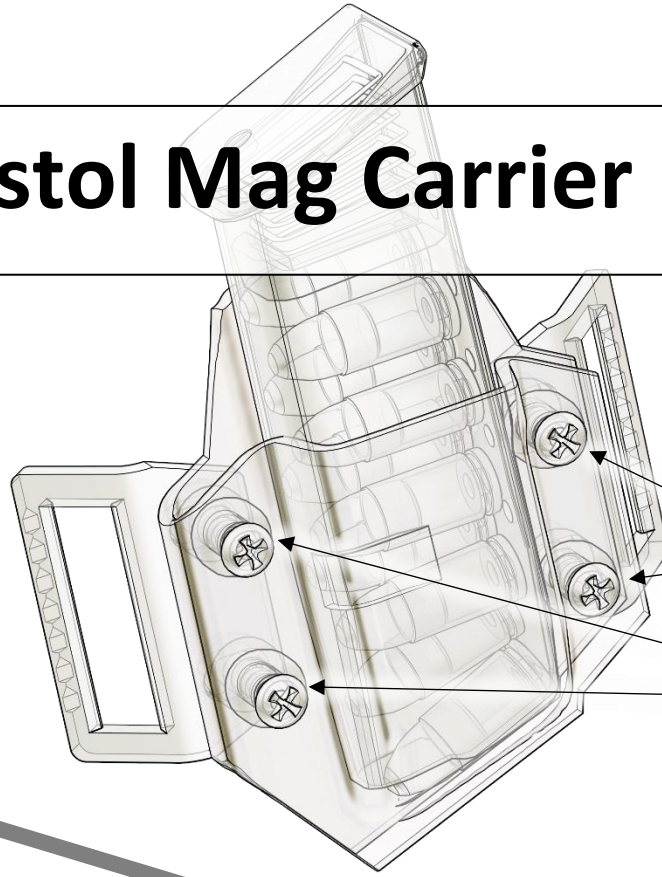
(no-light)  
375 post  
375 washer  
500 screw

**No-Light**

**Light-Compatible**

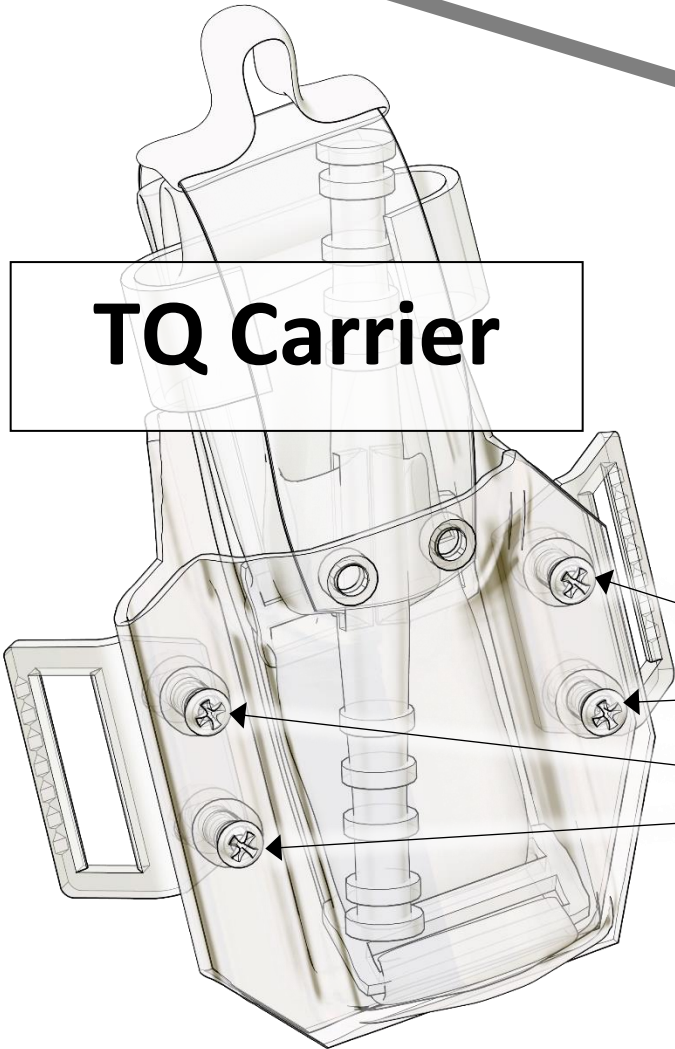


# Pistol Mag Carrier



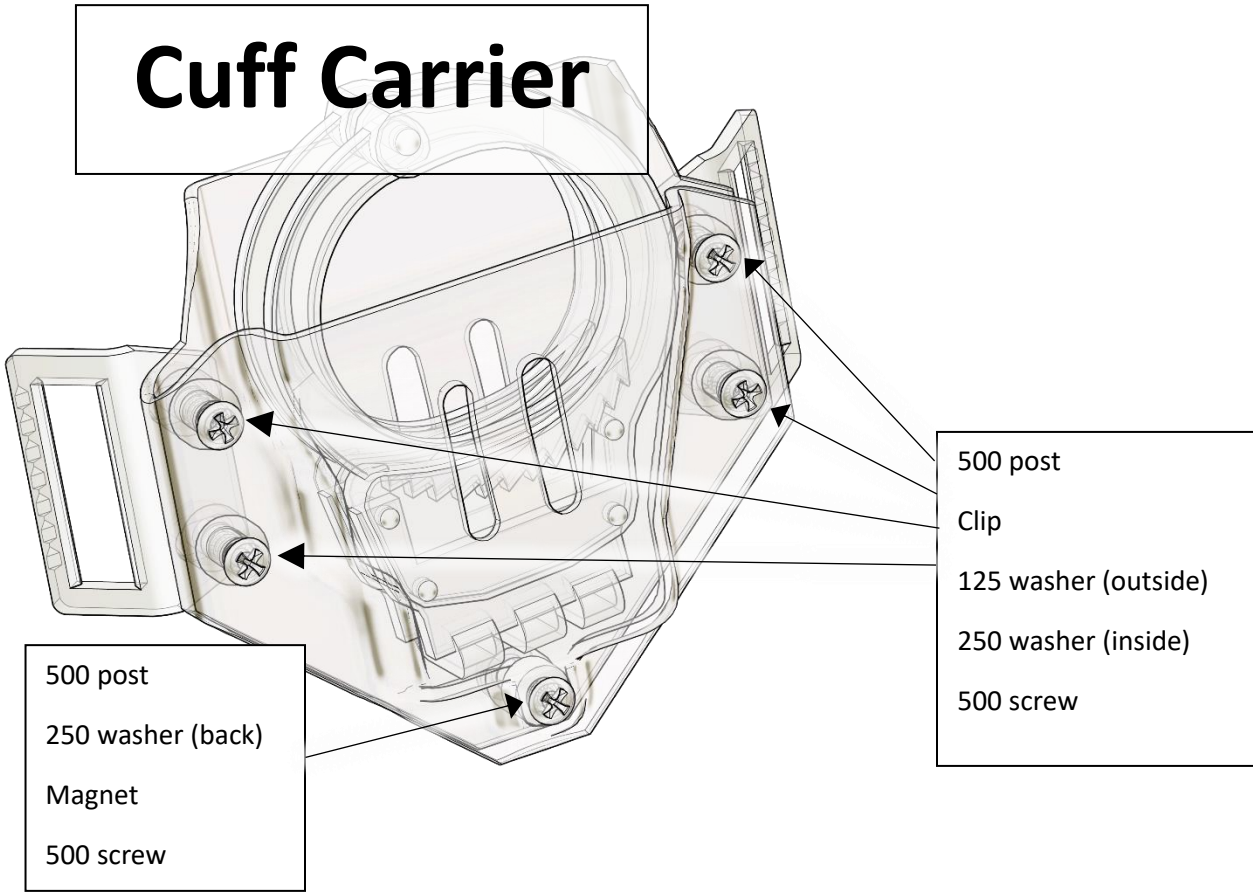
- 500 post
- Clip
- 125 washer (outside)
- 250 washer (inside)
- 500 screw

# TQ Carrier

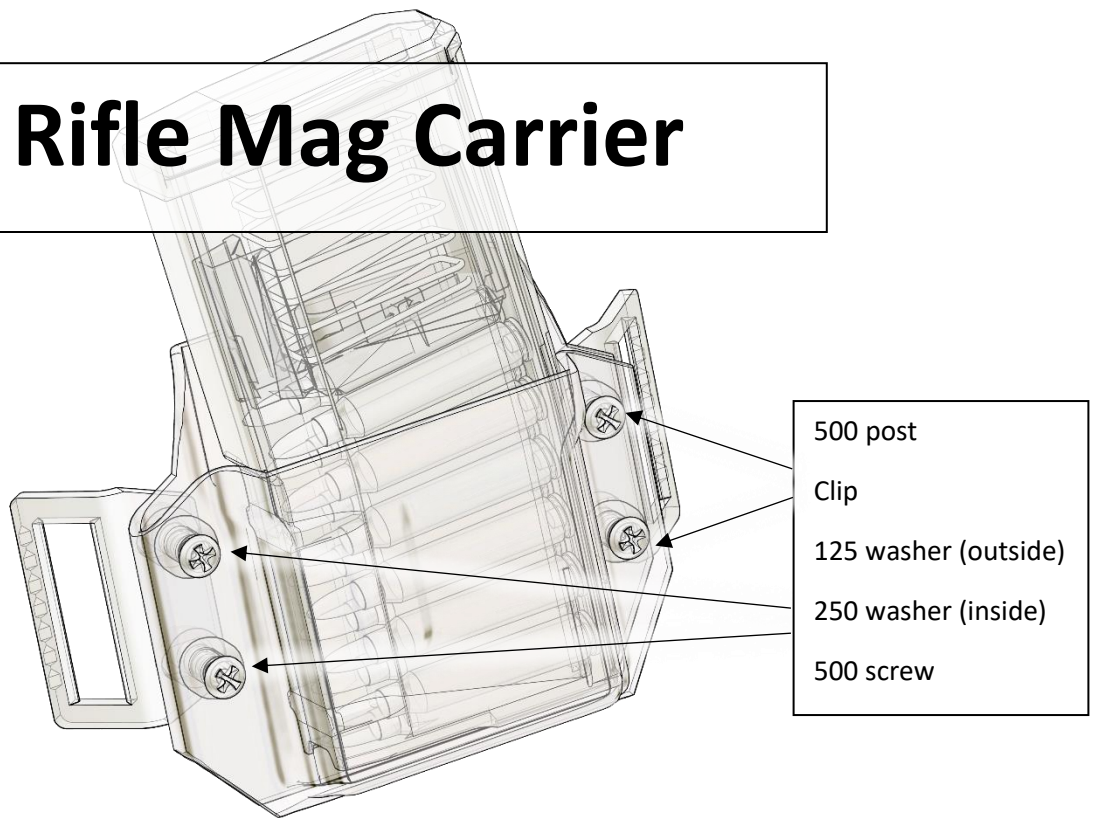


- 500 post
- Clip
- 125 washer (outside)
- 250 washer (inside)
- 500 screw

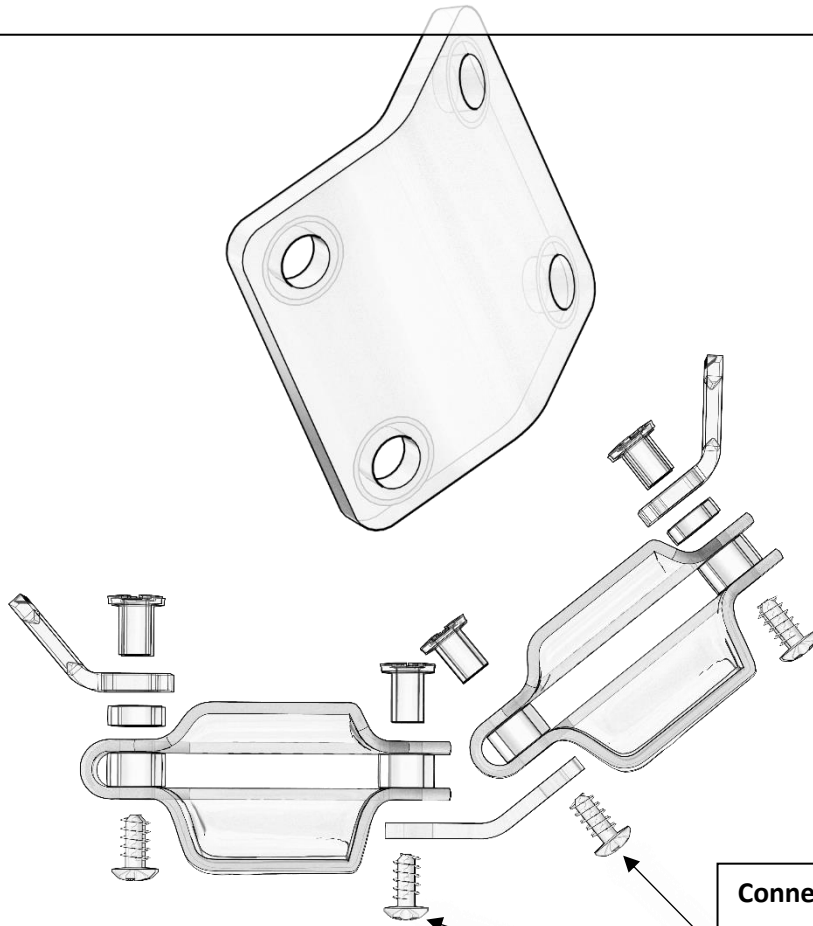
# Cuff Carrier



# Rifle Mag Carrier



# Carrier Connector



**Connector uses existing carrier screws, washers, posts.**

500 post

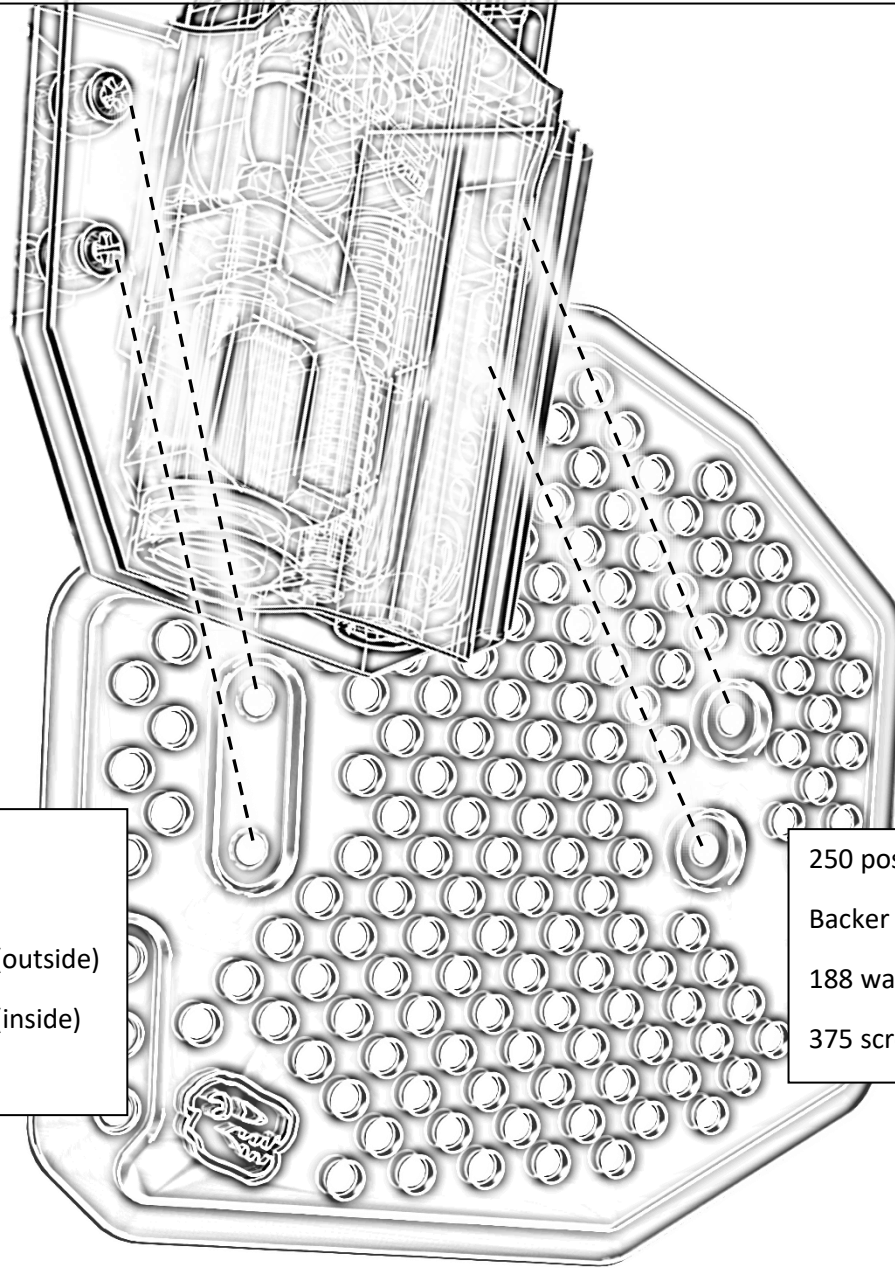
250 washer (inside)

125 washer (outside, optional)

Connector

500 screw

# Ironside Hybrid



500 post  
Backer  
125 washer (outside)  
375 washer (inside)  
625 screw

250 post  
Backer  
188 washer  
375 screw

# Ironside Hybrid

