

MAINTENANCE

Wipe with a clean, dry cloth. For tips on maintaining your SureFire illumination tool, visit www.surefire.com/faqs-maintenance.

THE SUREFIRE NO-HASSLE GUARANTEE

We'll do what it takes to keep your SureFire gear running smoothly. SureFire warrants that if you — our customer — purchase one of our products, and we determine that it is defective in material and/or workmanship during your lifetime, we will repair or replace it — no hassle!

Our warranty does not cover consumables or normal wear-and-tear — things like batteries draining, headbands and headpads wearing out, ink cartridges running out, and switches wearing out — or damage resulting from abuse, alterations, unauthorized repairs, or use contrary to SureFire's user manuals.

Should you need a replacement product, SureFire reserves the right to replace an obsolete product with a current production, like model. In the event that any issue with a SureFire product is not covered under this warranty SureFire can arrange to have the product repaired for a reasonable fee.

STANDARD DISCLAIMER

Except as specified above or prohibited by applicable law: all express or implied conditions and warranties, including, without limitation, any implied warranty or condition of merchantability or fitness for a particular purpose, or accuracy of any informational content, are hereby excluded and disclaimed by SureFire; and in no event will SureFire be liable for any special, direct, indirect, consequential, incidental or punitive damages howsoever arising and regardless of the theory of liability, even if advised of the possibility of such damages. Products, prices, availability, specifications, and offers are subject to change or cancellation at any time without notice.

WARRANTY CLAIMS

For claims, contact Customer Service at 714-545-9444 to obtain a Return Merchandise Authorization number (RMA#). Then package the unit carefully and send to (no CODs):

SureFire, LLC.
Repairs Department, RMA# _____
17680 Newhope Street, Suite B
Fountain Valley, CA 92708

SureFire will pay any reasonable shipping costs to return the unit to you.



Revision B 4-2022
71-01-1127
EDC1-DFT-xx, EDC2-DFT-xx

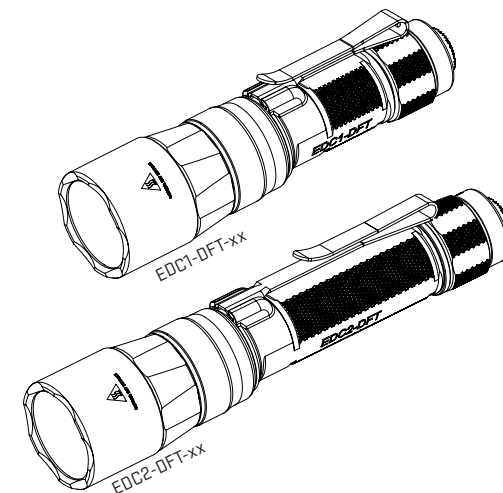
18300 MT. BALDY CIRCLE
FOUNTAIN VALLEY, CA 92708-6122
WWW.SUREFIRE.COM

Patents: RE40125, 6547415, 6712485



EDC SERIES

HIGH-CANDELA DUAL-OUTPUT FLASHLIGHT



SPECIFICATIONS	EDC1-DFT	EDC2-DFT
OUTPUT	SF18350: 650 / 25 lumens 123A: 350 / 25 lumens	SF18650B: 700 / 25 lumens (2) 123A: 600 / 25 lumens
RUNTIME	SF18350: 45 minutes / 11 hours 123A: 1 / 12 hours	SF18650B: 2.75 / 46.5 hours (2) 123A: 2 / 23 hours
PEAK BEAM INTENSITY	SF18350: 95,000 candela 123A: 55,000 candela	SF18650B: 100,000 candela (2) 123A: 90,000 candela
DISTANCE	SF18350: 616 meters 123A: 469 meters	SF18650B: 632 meters (2) 123A: 600 meters
CONSTRUCTION	Aluminum	
FINISH	Hard Anodized (MIL-A-8625 Type III, Class 2)	
WEIGHT (w/batteries)	4.5 oz (129.3 g)	5.6 oz (158.8 g)
LENGTH	4.8 in (12.2 cm)	5.91 in (15 cm)
BEZEL DIAMETER	1.258 in (3.2 cm)	
BATTERIES	(1) SF18350 (incl.) / (1) 123A	(1) SF18650B (incl.) / (2) 123A
SWITCHING	Click Tailcap	

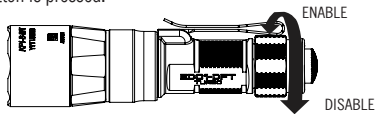
All performance claims tested to ANSI/PLATO FL 1-2019 Standard.

USER MANUAL

EDC SERIES

LOCKOUT TAILCAP (US PAT. RE40125)

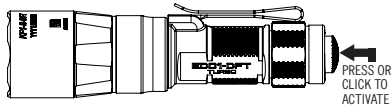
To **enable**, rotate tailcap clockwise until light activates when tailcap pushbutton is pressed.



To **lock out tailcap**, rotate counterclockwise until light will not activate when pushbutton is pressed.

LIGHT OPERATION

Press or click pushbutton tailcap switch once for High output. Return to Off and press or click on again, within 2 seconds, for Low output.



BATTERY REPLACEMENT

To load or replace batteries:

1. Unscrew bezel counterclockwise and remove.
2. Remove old batteries and dispose of properly.



3. Insert new 123A lithium battery(ies) or one SF18350/SF18650B battery with the positive (+) terminal(s) oriented forward.
4. Replace bezel by screwing on clockwise. Press pushbutton (with tailcap enabled) to test.

BATTERY INFORMATION & WARNINGS

For complete battery information and warnings, reference the enclosed BATTERY INFORMATION / WARNING insert in your illumination tool's original packaging or visit www.surefire.com/batteries.

⚠ WARNING

Use of substandard batteries can cause injury or property damage. Visit www.surefire.com/batterysafety.

	SF18350	SF18650B
SPECIFICATIONS	VOLTAGE	
	3.7 V	
	CAPACITY	
	1.1 Ahr	3.5 Ahr
	CHARGE END VOLTAGE	
	4.2 V	
	DISCHARGE END VOLTAGE	
	2.5 V	
	STANDARD CHARGE RATE	
	500mA (USB), External 1A/1C	
DISCHARGE RATE		
10 A	8-10 A	
USB CHARGE VOLTAGE		
5.0 V ± 0.2 V		
USB CHARGE CURRENT		
600 mA ± 100 mA		

SAFETY

The internal protection circuit integrated within the battery assembly provides the following safety features; overcharge, overdischarge, short circuit, undervoltage, overvoltage.

ENVIRONMENTAL

Storage Temperature Range: 0-35°C. 60±25% RH

Charging: 0°C-45°C, 65%±25%RH

Discharging: -20°C-+60°C, 65%±25%RH

Note: The battery's metal button top also functions as a heatsink during USB charging, which may result in it being very warm to the touch during the high charge rate period.

The SF18350/SF18650B are Lithium Ion protected batteries with micro USB charge capability which allows the user to charge the batteries using USB power sources such as a USB wall charger, computer, power bank, or automotive USB port. An external 18350/18650 compatible CC-CV cradle charger can be used to charge either battery; possibly at a faster rate if so equipped.

The SF18350/SF18650B can be charged directly through the MICRO-USB port, requiring no external charge cradle. The SF18350/SF18650B comes with a 6-inch USB type A plug to Micro USB type B plug, with the MICRO-USB plug being the end inserted into the battery. The battery side includes a MICRO-USB type B receptacle. Once the cable is plugged into the battery and a power source, the two LED indicators display the current charge state: RED for charging and GREEN for fully charged. The battery can be left connected to the charge source indefinitely as the internal charge algorithm will restart the charge cycle once the cell voltage drops below 4-5% of the float voltage. The charge time using the MICRO-USB port for a fully depleted battery can be >5 hours. An external charger can be used to shorten the total charge time. The batteries' protection circuit quiescent drain is 40uA, which in addition to the cell self-discharge, which allows a fully charged battery to maintain usable capacity for 2-3 years.