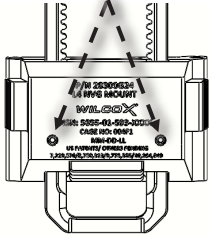


Wilcox prides itself providing the operator with the most trusted mount in the world. To accomplish this, it is essential to understand the science behind our mounting solution. Without a stable mounting system an adverse condition can develop that compromises the reason for its existence. Wilcox has engineered the helmet Shroud, Mount and NVG Shoe to work as one system. Any off-brand shrouds could affect the rigidity, thereby affecting the stability of the goggle. An extensive amount of effort is put into this, and Wilcox cannot honor a warranty claim if an off-brand shroud is used with our mount.

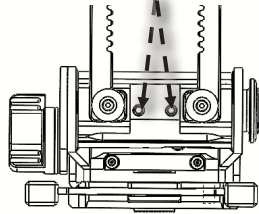
Tightening NVG Interface Screws

INSERT .050 HEX DRIVER TO ADJUST. TURN CW TO LOOSEN, CCW TO TIGHTEN.



Tightening Tilt Adjustment Screws

INSERT 1/16 HEX DRIVER TO ADJUST. TURN CW TO LOOSEN, CCW TO TIGHTEN.



If any play develops in the Carriage or Pivot mechanism the following adjustment (s) can be made to restore its original movement.

Maintenance assuring they are all working properly. Performing this procedure check all adjustments highlighted in the Operation and lightly lubricating the stainless-steel parts will ensure it's intended use. After flushing the mount with clean water or by wiping it with a clean damp cloth and use, will promote a long-anticipated service life. To maintain the reliability of the all the adjustments provided for in the G24 mount, keeping the mount clean of any saltwater residue and/or dirt after each use, will promote a long-anticipated service life.

CARE AND MAINTENANCE

WARRANTY CLAIM AND SERVICE INFORMATION

For warranty claim or service work, WX must be contacted in the United States at (603) 431-1331 or Customer Service through our online support page at wilcoxind.com/contactus to obtain a **Return Merchandise Authorization (RMA) / Service Call Number (SC)** prior to returning your mount.

After an RMA/SC number is issued, WX will accept your package at the address indicated below, clearly marked with the RMA/SC number:

Wilcox Industries Corp.
RMA/SC # _____
One Wilcox Way
Newington, NH 03801 USA

The Wilcox G24 Mount must be securely packaged to prevent damage, accompanied by your name, address, daytime phone number to contact you, and a description of the problem or work you wish to be performed.

Manufactured by:



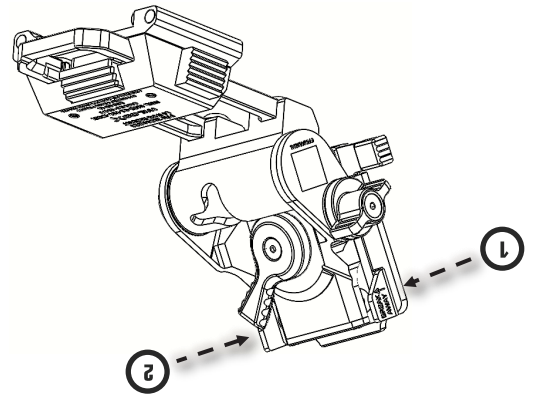
Wilcox Industries, Corp.
One Wilcox Way
Newington, NH 03801 USA
Phone: +1 603-431-1331
Fax: +1 603-431-1221



WILCOXIND.COM

For troubleshooting service questions, contact Wilcox between 8am and 5pm EST.

© 2009-2023 Wilcox Industries Corp. All rights reserved. Printed in USA. US Patents 7,219,370, 8,739,313, 9,709,792, 9,775,395 and 10,264,840. Other US and foreign patents pending. *Wilcox*®, *Mount Up!*® and the Wilcox "X" Logo are federally registered trademarks of Wilcox Industries Corp. *G24*™, are trademarks of Wilcox Industries Corp. All other trademarks and registered trademarks in this manual are the property of their respective companies. Specifications and other data are subject to change without notice.



To lock the mount permanently to the Shroud, press lever (1) inward. To unlock the mount to enable the breakaway feature, push the lever (2) inward.

BREAK AWAY - ENABLE OR DISABLE THE FEATURE

To prevent potential neck injury when performing operations that could cause entanglement with parachute lines or when fast roping, ensure that the break away feature is engaged.

WARNING

GENERAL SAFETY WARNINGS

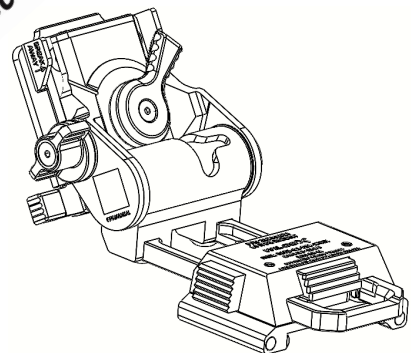
OPERATION AND MAINTENANCE INSTRUCTIONS FOR THE



NVG Breakaway Mount

"The Most Trusted Helmet Mount in the World"

Mount Up!



CAGE: 004F1

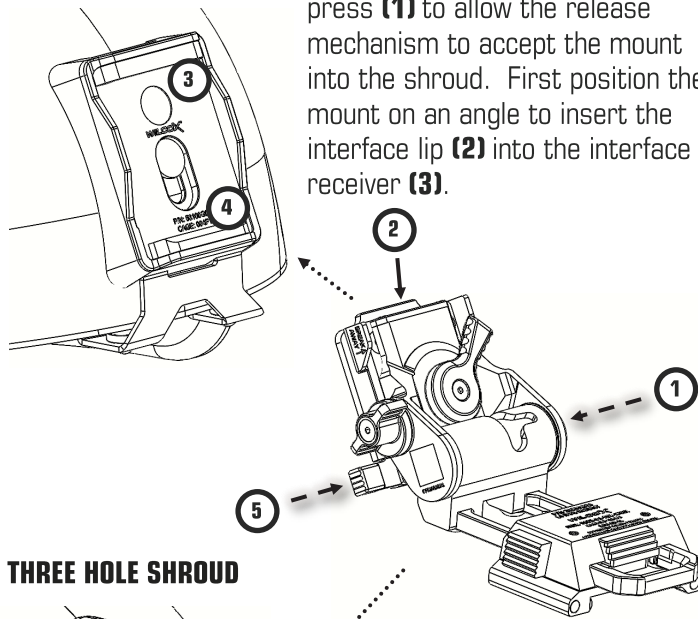
EAR Controlled: Commerce License may be required for export or re-export.

ATTACHING THE G24 NVG BREAKAWAY MOUNT TO THE WILCOX FAMILY OF SHROUDS

ATTACH MOUNT

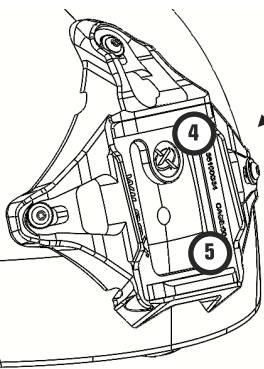
ONE HOLE SHROUD

To attach the helmet mount, first press **(1)** to allow the release mechanism to accept the mount into the shroud. First position the mount on an angle to insert the interface lip **(2)** into the interface receiver **(3)**.



THREE HOLE SHROUD

Once the lip is fully engaged into the receiver, rotate the mount into the pocket **(4)**. Once seated, press **(5)**. This will lock the helmet mount to the shroud.



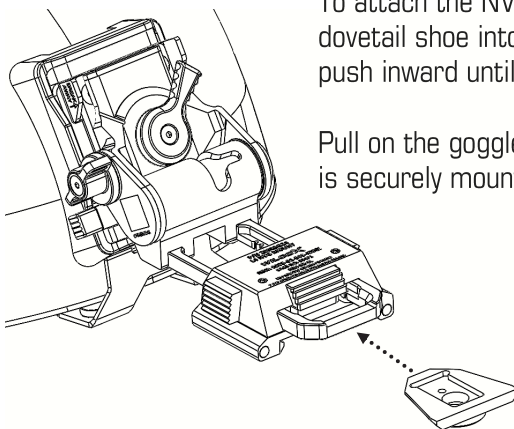
DETACH MOUNT

Follow attachment instructions in reverse.

ATTACH SHOE - ATTACHMENT OF AN NVG

To attach the NVG, insert the dovetail shoe into the receiver and push inward until you hear a click.

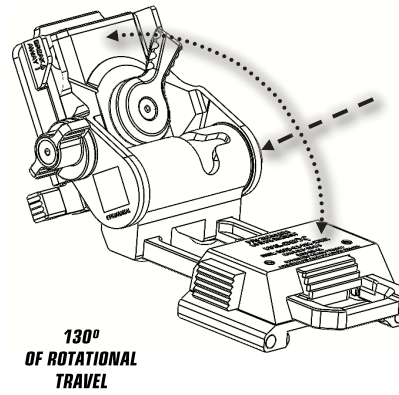
Pull on the goggle to ensure that it is securely mounted.



To detach the NVG, hold the NVG then depress NVG release button, then pull outward.

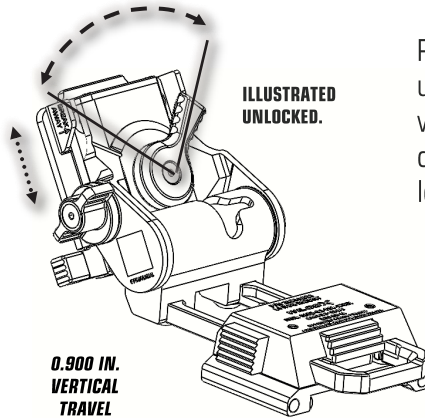
OPERATION

PIVOT - STOWING AND DEPLOYING THE NVG



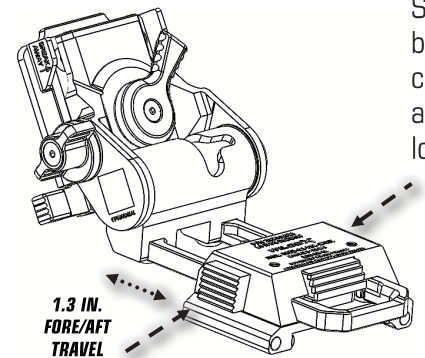
Depress flip release button and position carriage in stowed or operational position. Release button to lock in place.

UP/DOWN - ADJUSTMENT OF THE NVG



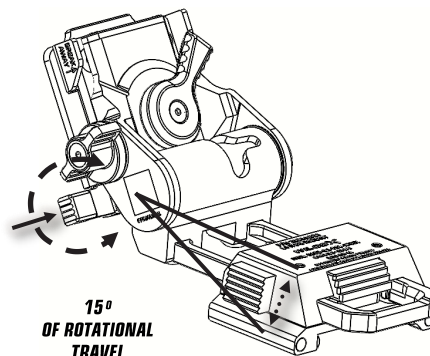
Placing the lever in the unlocked position allows for vertical adjustment up and down. Adjust lever CCW to lock.

FOREWARD/AFT - ADJUSTMENT OF THE NVG



Simultaneously depress both buttons allowing the carriage to move forward or aft. Release buttons to lock.

TILT - ADJUSTMENT OF THE NVG



Rotate tilt angle adjustment knob CW to raise angle or CCW to lower the angle.