

1. Fasten ring screws using a T20 bit, just enough so that scope can be freely rotated in rings.
2. Snug LevelDrive® screw against flat scope base using a T25 bit.
3. Rotate scope while re-snugging LevelDrive® screw.
4. Repeat as necessary until scope can no longer be rotated, and no gap is visible between LevelDrive® screw and scope base.
5. Progressively tighten ring screws to **20 inch-lbs**, in an alternating pattern, one ring at a time.
6. Remove and store LevelDrive® screw prior to shooting.

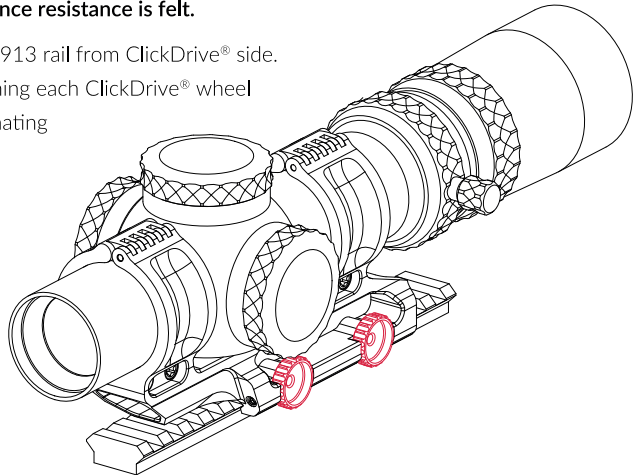
A FIXED TORQUE DRIVER, OR ONE WITH A NARROWER ADJUSTMENT RANGE, IS MORE ACCURATE. PRO TIP

7. Open clamp parallel to base by turning each ClickDrive® wheel only a few clicks at a time, in an alternating pattern.

⚠ **Stop turning ClickDrive® wheels once resistance is felt.**

8. Hook Leap mount onto MIL-STD-1913 rail from ClickDrive® side.
9. Close clamp parallel to base by turning each ClickDrive® wheel only a few clicks at a time, in an alternating pattern, until they are as tight as you can make them by hand.

⚠ **Do not use tools.**



PRO TIP USE YOUR RIGHT HAND TO TIGHTEN AND LEFT HAND TO LOOSEN