

Sidecar

SPINE Pin

375 post
375 washer
500 screw

(1) Friction Washer (Wing)
OR
(1) Friction Washer (Attch)

No-Light	With Light
500 post	250 post
375 washer (inside)	188 washer
250 washer (outside)	375 screw
625 screw	

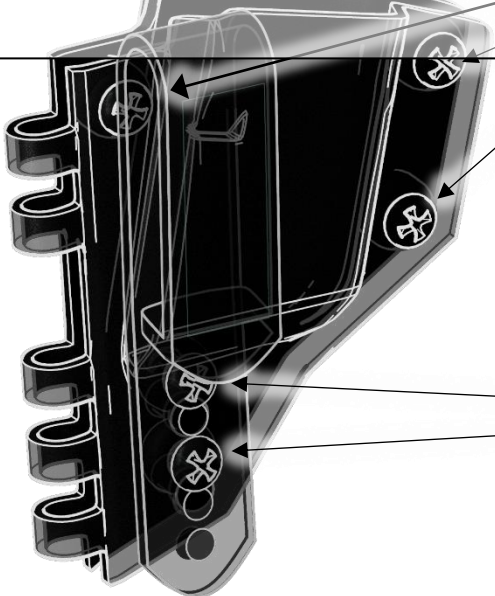
Clip Placement
Holsters w/ 2 holes: **top** holes of the clip
Holsters w/ 3 holes: **middle** holes of the clip
Attachments (-cuff): top holes of the clip

Pistol Mag Attachment

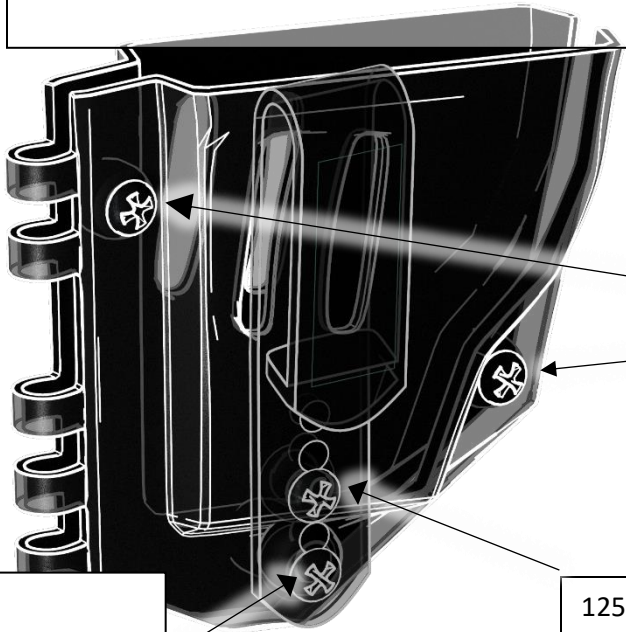
250 post
250 washer
375 screw

Attachment Priority
Pistol Mag Attachment
Tourniquet (TQ) Attachment
Rifle Mag Attachment
MP5 Attachment
SCP Attachment
MPX Attachment
Cuff Attachment
Raptor Wing

500 post
250 washer (inside)
375 washer (outside) OR **F-Mag**: 250 washer
625 screw
Top clip holes



Cuff Attachment

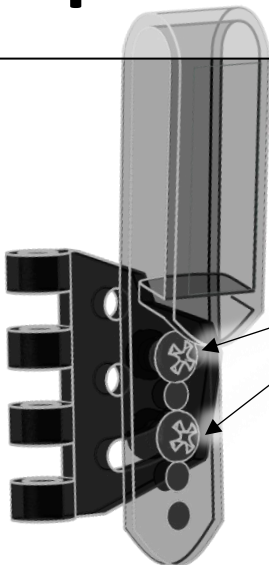


250 post
250 washer
375 screw

125 post
250 screw
Bottom clip holes

500 post
125 washer
Magnet
125 washer
250 washer (outside)
625 screw

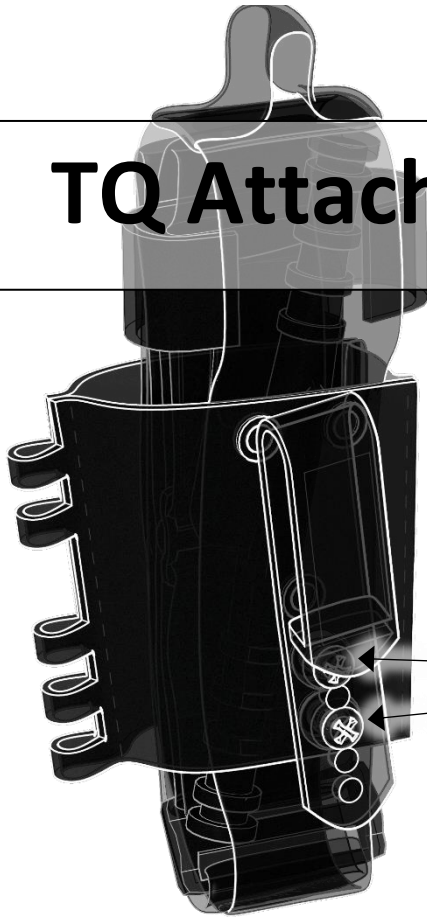
Raptor Wing



250 post
125 washer
250 screw
Wing outside holes/
Clip top holes

Attachment Priority
Pistol Mag Attachment
Tourniquet (TQ) Attachment
Rifle Mag Attachment
MP5 Attachment
SCP Attachment
MPX Attachment
Cuff Attachment
Raptor Wing

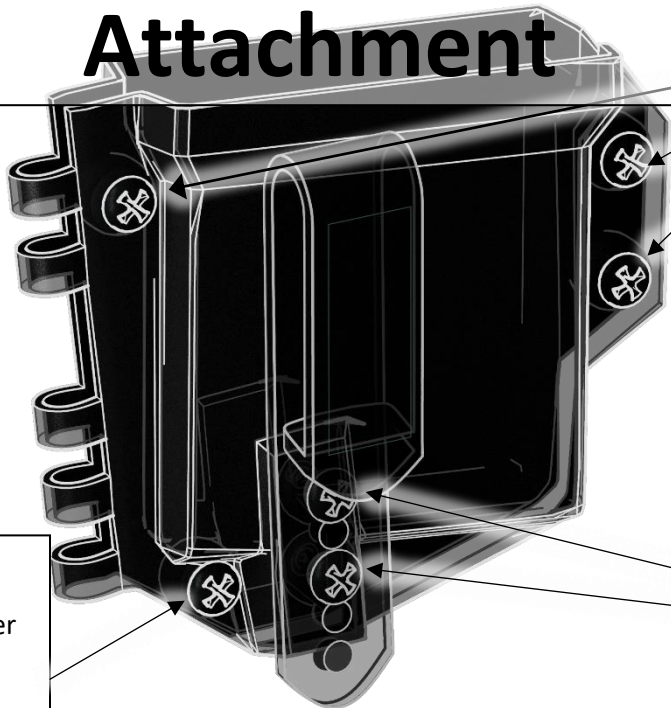
TQ Attachment



250 post
 125 washer
 375 screw
Bottom attachment/ top clip

Attachment Priority
Pistol Mag Attachment
Tourniquet (TQ) Attachment
Rifle Mag Attachment
MP5 Attachment
SCP Attachment
MPX Attachment
Cuff Attachment
Raptor Wing

Rifle/SMG Mag Attachment



250 post
 250 washer
 375 screw

250 post
 250 washer
 375 screw

250 post
 188 washer
 375 screw
Rifle: bottom *attachment* holes
MP5/MPX/SCP: middle *attachment* holes
Middle clip holes