

Sidecar

SPINE Pin

375 post
375 washer
500 screw

(1) Friction Washer (Wing)
OR
(1) Friction Washer (Attch)

No-Light	With Light
500 post	250 post
375 washer (inside)	188 washer
250 washer (outside)	375 screw
625 screw	

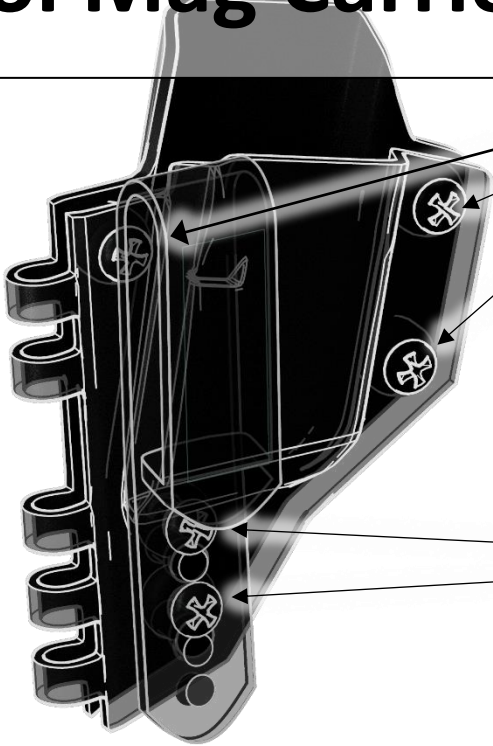
Clip Placement
Holsters w/ 2 holes: **top** holes of the clip
Holsters w/ 3 holes: **middle** holes of the clip
Attachments (-cuff): top holes of the clip

Pistol Mag Carrier

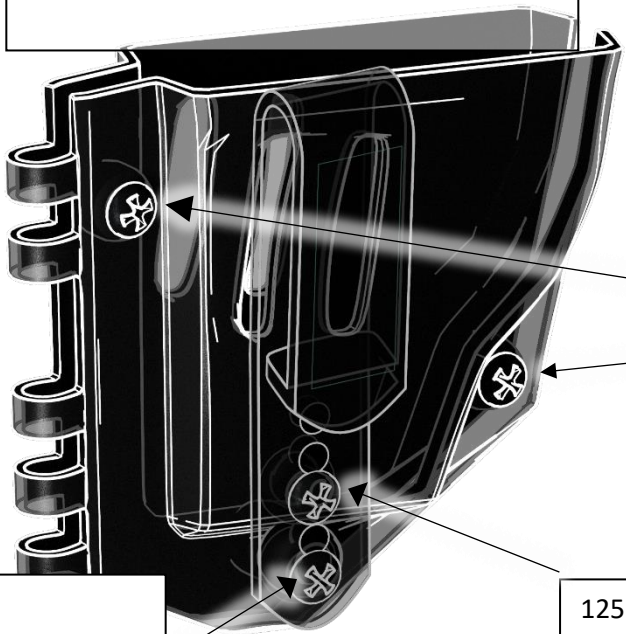
Attachment Priority
Pistol Mag Carrier
Tourniquet (TQ) Carrier
Rifle Mag Carrier
MP5 Carrier
SCP Carrier
MPX Carrier
Cuff Carrier
Raptor Wing

250 post
250 washer
375 screw

500 post
250 washer (inside)
375 washer (outside) OR **F-Mag**: 250 washer
625 screw
Top clip holes



Cuff Carrier



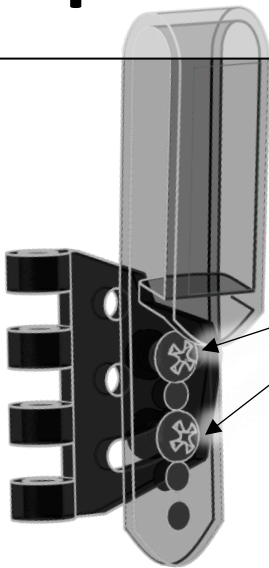
250 post
250 washer
375 screw

500 post
125 washer
Magnet
125 washer
250 washer (outside)
625 screw

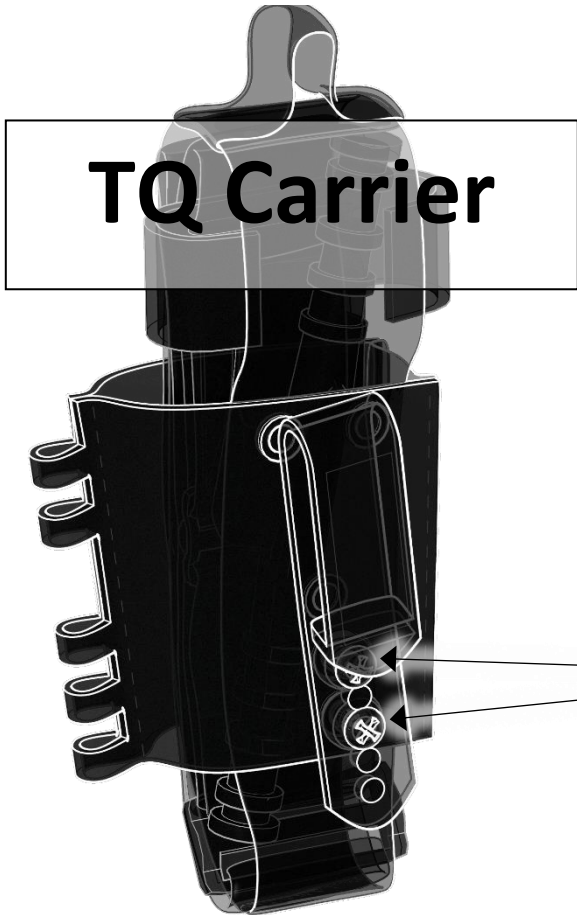
125 post
250 screw
Bottom clip holes

Attachment Priority
Pistol Mag Carrier
Tourniquet (TQ) Carrier
Rifle Mag Carrier
Cuff Carrier
Raptor Wing

Raptor Wing



250 post
125 washer
250 screw
Wing outside holes/
Clip top holes

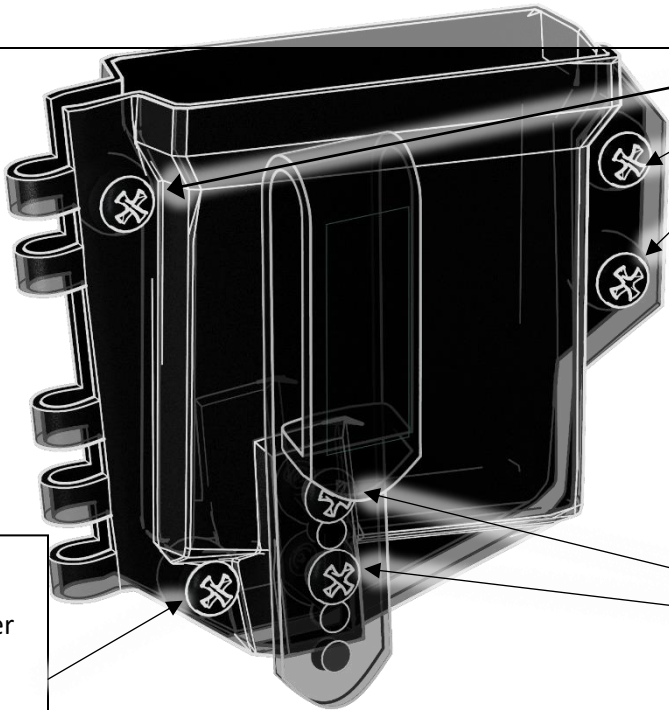


TQ Carrier

250 post
 125 washer
 375 screw
Bottom carrier/ top clip

Attachment Priority
Pistol Mag Carrier
Tourniquet (TQ) Carrier
Rifle Mag Carrier
Cuff Carrier
Raptor Wing

Rifle/SMG Mag Carrier



250 post
 250 washer
 375 screw

250 post
 250 washer
 375 screw

250 post
 188 washer
 375 screw
Rifle: top carrier holes
MP5/MPX/SCP: middle carrier holes
Top clip holes