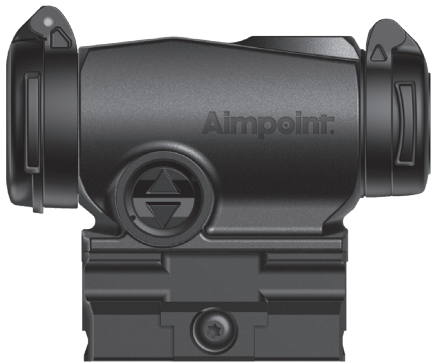


Aimpoint®

Duty RDS™
User manual



1 PRESENTATION

Aimpoint® red dot sights are designed for the "two eyes open" method which greatly enhances situational awareness and target acquisition. Thanks to the optical design the red dot follows the movement of the user's eye while remaining fixed on target, eliminating any need for centering.

1.1 Technical specification

Optical system

Magnification	1X
Eye relief	Unlimited
Clear aperture	18 mm
Dot size	2 MOA ¹
NVD ² compatible	Yes
Optical coating	Anti-reflex (AR) coating
Adjustment	1 click \approx 15 mm at 100 m \approx 0.5 in at 100 yds (0.5 MOA per click)
Adjustment range (windage and elevation)	\pm 1 m at 100 m \pm 1 yd at 100 yds
Dot intensity settings	10 settings manually adjusted with push-buttons. Settings 1 - 4 for use with NVD and settings 5 - 10 for use in daylight.
Dot color	Red
Signature	No forward optical signature from the dot beyond 10 meters

Power source

Battery type CR2032 (3.0 V) Lithium

Battery life³ 3 years of use on setting 7

Size (L × W × H)

Sight (excl. mount) 68 mm × 37 mm × 43 mm
(2.7 in × 1.5 in × 1.7 in)

Weight

Sight (excl. mount) 108 g (3.8 oz)

Height of optical axis

Standard mount 30 mm / 1.2 in

High mount 39 mm / 1.5 in

Materials

Sight housing High strength, forged aluminum,
black to dark gray, non-glare finish

Environmental specification

Temperature range (operation) -45 °C to +71 °C
(-50 °F to +160 °F)

Temperature range (storage) -51 °C to +71 °C
(-60 °F to +160 °F)

Water resistance Submersible 25 m

1 MOA: Minute Of Angle, 1 MOA ≈ 30 mm at 100 m or ≈ 1" at 100 yds

2 NVD: Night Vision Device

3 Battery life: Values valid at room temperature for a quality battery

1.2 Overview

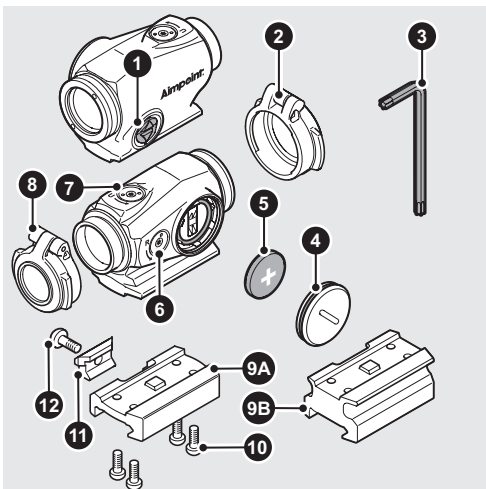


Fig. 1 Overview

- | | |
|----------------------------|-----------------------------|
| 1 Push-buttons | 8 Rear flip-up lens cover |
| 2 Front flip-up lens cover | 9 A Mount base 30 mm |
| 3 Torx T10 tool | B Mount base 39 mm |
| 4 Battery cap | 10 Screws for mount (4 pcs) |
| 5 Battery (CR2032) | 11 Locking bar |
| 6 Windage adjuster | 12 Screw for locking bar |
| 7 Elevation adjuster | |

2 OPERATION

WARNING: Ensure the weapon is not loaded and the safety selector is in the "safe" position before attempting to install, remove or perform maintenance.

2.1 Install or replace battery

- a Unscrew and remove the battery cap (4).
- b If replacing battery (5), remove depleted battery from the battery compartment by carefully pressing on an edge as shown in Fig 2.

CAUTION: Take care not to damage the battery or the battery compartment. Do not use sharp tools (e.g. a knife) to remove the battery.

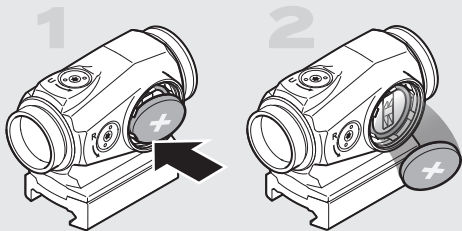


Fig. 2 Remove battery

- c Insert battery (5) with the positive end (+) toward the battery cap (4) as seen in Fig. 1.

CAUTION: Check that the o-ring on the battery cap (4) is in position and in good condition to ensure there is no water leakage into the battery compartment.

- d Tighten the battery cap (4). When resistance is encountered, proceed to tighten until the battery cap (4) is fully tightened.

NOTE: For long term storage of the sight, remove the battery.

2.2 Turn ON / OFF and adjust red dot intensity

- Press any of the push-buttons (1) ▲ or ▼ to turn the sight **ON**.

NOTE: The sight will always turn **ON** at setting 7 of 10.

- Press ▲ to increase red dot intensity.
- Press ▼ to decrease red dot intensity.
- Hold ▼ to turn the sight **OFF**.

NOTE: Intensity setting 1 - 4 are intended for use with NVD and intensity setting 5 - 10 for use in daylight.

2.3 Install the sight

If the sight is equipped with the mount shown in Fig. 1, follow the described procedure. For installation with other mounts, see accompanying instruction.

- a Loosen the screw (12) using the Torx T10 tool (3), and clamp the locking bar (11) around the Picatinny rail.
- b With the recoil stop positioned in a groove of the Picatinny rail, push the sight forward (towards muzzle) and tighten the screw using the tool. See Fig. 3.
- c Tighten the screw until a light resistance is encountered. Proceed with another 1/4 to 1/2 turn until fully tightened (3 Nm / 2.2 ft·lb).

CAUTION: Do not overtighten.

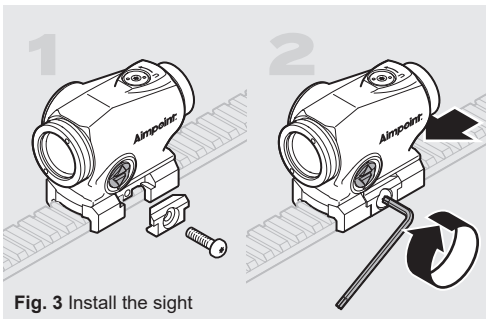


Fig. 3 Install the sight

2.4 Zeroing

CAUTION: Do not continue to adjust windage and elevation screws (6) (7) if you encounter resistance.

- a Adjust the intensity to a comfortable setting for the red dot to contrast clearly against the target.
- b Fire at least three shots to evaluate points of impact.
- c Use the Torx T10 tool (3) to turn the adjustment screws.
- d Windage adjustments (see Fig. 4):
 - Turn windage adjustment screw (6) counterclockwise to move point of impact to the right (R).
 - Turn windage screw (6) clockwise to move point of impact to the left.
- e Elevation adjustments (see Fig. 5):
 - Turn elevation adjustment screw (7) counterclockwise to move point of impact up (U).
 - Turn elevation adjustment screw (7) clockwise to move point of impact down.
- f Confirm zeroing by firing at least three shots at a zeroing target and repeat zeroing procedure if required.
- g Ensure the sight is securely installed on the weapon and retighten the screw (12) if necessary.

NOTE: Each click of the adjustment screws corresponds to movement of point of impact of approximately 15 mm at 100 m / 0.5 in at 100 yds (0.5 MOA per click).

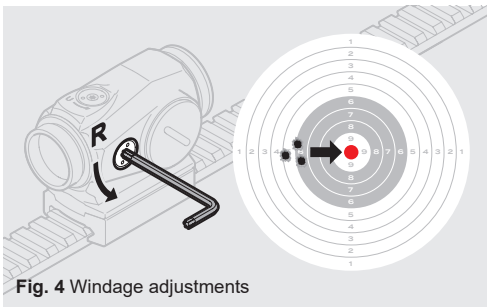


Fig. 4 Windage adjustments

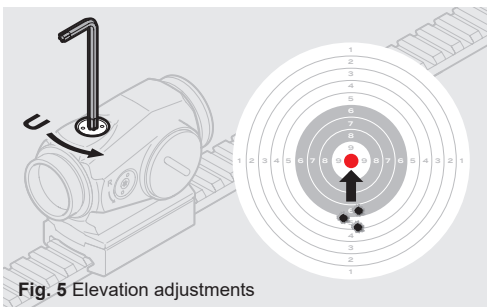


Fig. 5 Elevation adjustments

3 EXTREME CONDITIONS

- Extreme heat (moist or dry): no special procedures required.
- Extreme cold: extreme cold might shorten battery life.
- Salt air: no special procedures required.
- Sea spray, water, mud and snow: ensure the battery cap (3) is tightened before exposing the sight to sea spray, mud, snow or before submerging the sight in water. Clean lenses with lens paper/cloth and wipe the sight dry as soon as possible after exposure to water, sea spray, mud or snow.
- Dust storms and sand storms: no special procedures required.
- High altitudes: no special procedures required.

CAUTION: Never clean the lenses with fingers. Use lens paper/cloth. If lens paper/cloth is not available:

- To clear away debris (sand, grass etc.): blow away the dirt or rinse with clear water.
- To clean lenses: fog the lenses or rinse with clear water and clean them with a soft piece of cloth.

4 TROUBLESHOOTING

The red dot does not appear or has disappeared

Make sure contact surfaces in the battery compartment are clean and verify that a working battery (CR2032) is installed correctly according to 2.1. If the sight is malfunctioning, notify local dealer/armourer.

The sight is impossible to zero

If an adjustment screw (6) or (7) is at its limit, check the alignment of mount and barrel. If point of impact is moving, check if the sight is securely installed on the weapon and check weapon rail (or carry handle) stability.

5 MOUNT INSTALLATION

To avoid damage to the sight and for proper assembly of the base (8) onto the sight, the original screws (10) must be tightened by hand and with the Torx T10 tool (3).

- a Place the sight upside down in your hand.
- b Press the mount base (9) against the sight and verify there is no gap.
- c Apply thread locking fluid to the threads and install the screws (10).
- d Tighten the screws (10) in a crosswise pattern. Tighten until resistance is encountered. Proceed with another 1/4 to 1/2 turn until fully tightened (1.35 Nm / 1.0 ft·lb).

CAUTION: Do not overtighten.

Aimpoint AB

Jägershillgatan 15
SE- 213 75 Malmö, Sweden
Phone: +46 (0)40 671 50 20
Fax: +46 (0)40 21 92 38
e-mail: info@aimpoint.se

Aimpoint Inc.

7309 Gateway Court
Manassas, VA 20109, USA
Phone: +1 703-263-9795
Fax: +1 703-263-9463
e-mail: info@aimpoint.com

WWW.AIMPOINT.COM

© 2021 Aimpoint AB. [16661-2]

