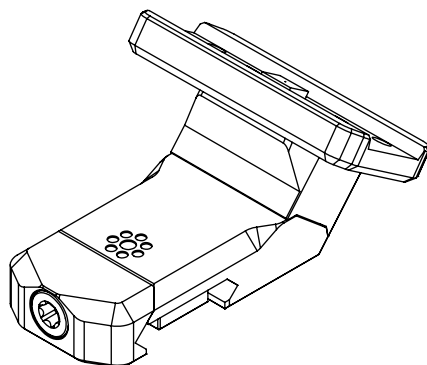


Arisaka Offset Optic Mount

Patent Pending

08/01/2020

The Arisaka Offset Optic Mount can be configured at either a 35 or 45 degree offset angle by reversing the stem during assembly, as shown on the next page. The mount is designed to be attached to the top Picatinny rail of an AR15. When the rifle is canted to make use of the offset red dot sight, the optic remains aligned and centered over the bore at either 35 or 45 degrees due to the unique, Patent Pending design. We recommend that you choose the plate height so that it is similar to your primary optic mount height.



Loctite 222 or 243 is recommended on all screws, which should be torqued to:

Picatinny rail clamp -
IP27 Torx Plus, 55 in/lbs

Optic base to stem M4x16mm -
IP20 Torx Plus, 30 in/lbs

Optic plate to stem M4x10mm -
IP20 Torx Plus, 30 in/lbs

Optic to optic plate -
Refer to your optic's manufacturer for correct torque values, not to exceed 20 in/lbs

Picatinny Clamp

10-32x1.5"

M4x16mm

M4x16mm

M4x10mm

M4x10mm

Optic Plate #5
Aimpoint Micro

Stem

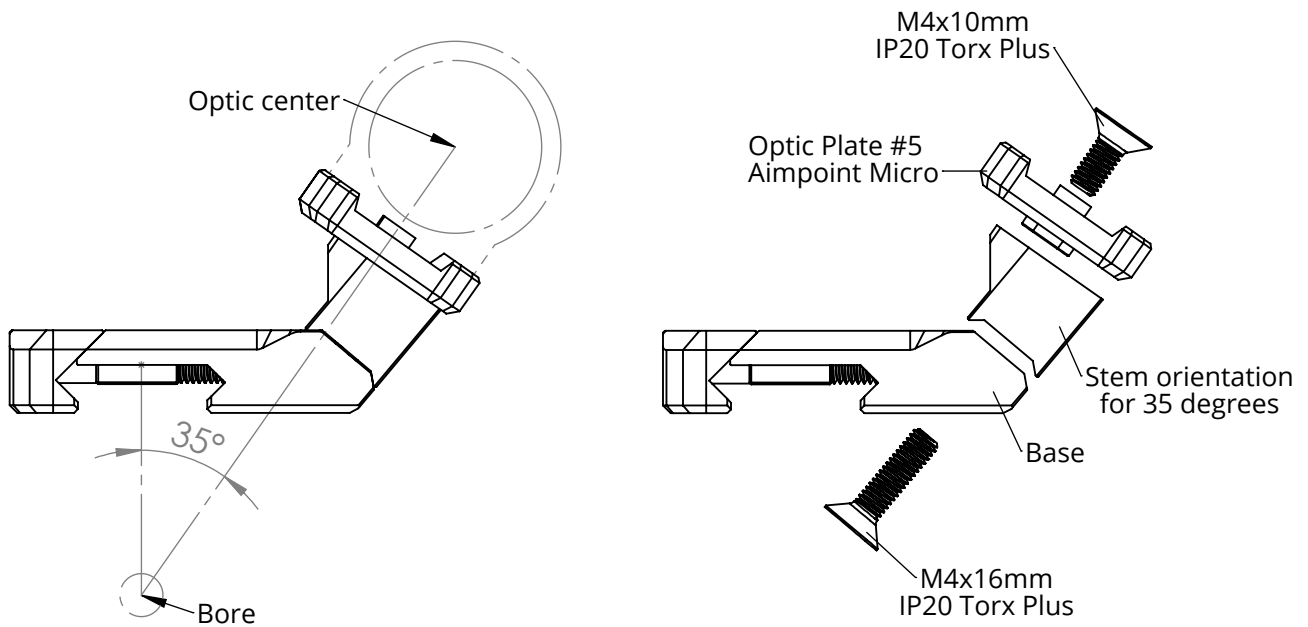
Base

Please note: Plates 4 and 10 include longer screws to attach the Leupold DPP, and use a 2.5mm Allen wrench

Arisaka Offset Optic Mount

Patent Pending

35 Degree Configuration



45 Degree Configuration

